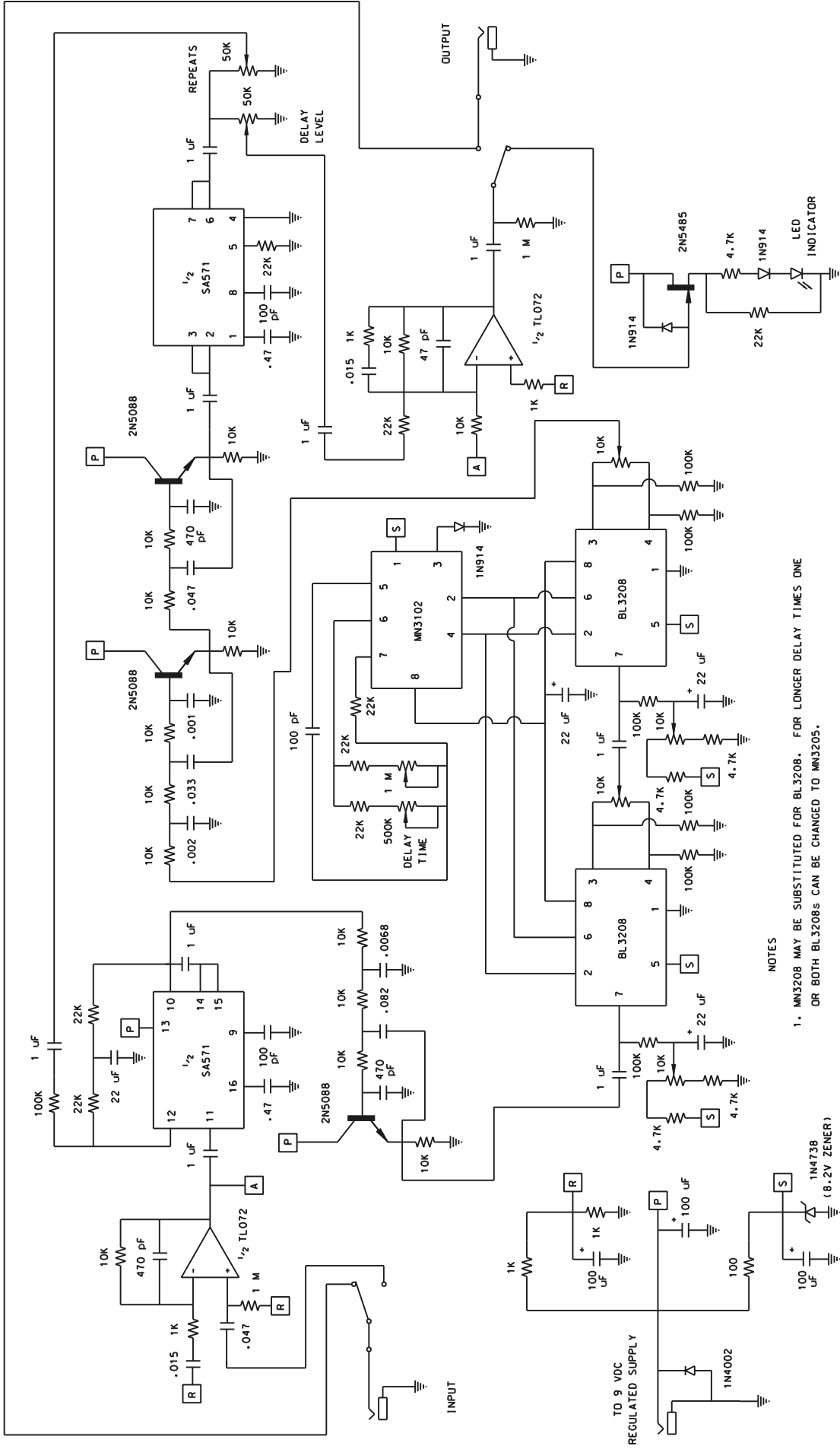


# AD-3208 DELAY

COPYRIGHT 2003 BY SCOTT SWARTZ, ALL RIGHTS RESERVED



### NOTES

1. MN3208 MAY BE SUBSTITUTED FOR BL3208. FOR LONGER DELAY TIMES ONE OR BOTH BL3208s CAN BE CHANGED TO MN3205.
2. INDICATOR FET CAN BE 2N5485 OR ANY N CHANNEL FET SUCH AS 2N5457, 2N5458, MPF102 CAN BE SUBSTITUTED.
3. COMPANION IS SHOWN AS SA571; NE570 MAY BE SUBSTITUTED.

1N4738  
(8.2V ZENER)